



ASTRELIGHTS INC

LED CANOPY LIGHT - CP05

Rev.12/13/23



Description

LED canopy lights are versatile and energy saving fixtures, which are ideal for parking garages, entryways, gas stations, outdoor aisles and many other commercial applications. It comes with color and wattage selectable, allowing you to customize the LED light output to best fit your project. Energy and maintenance savings up to 86% versus HID solutions, and can be easily surface mounted.

Application

- Covered Walkway
- Garages
- Warehouses
- Gas station
- Petroleum & Convenience Store

Certificate

- UL
- DLC



LED CANOPY LIGHT - CP05

Key Features

- Field-adjustable 3CCT & Wattages to reduce SKU's.
- Microwave motion sensor available.
- High efficiency up to 140LM/W.
- Perfect LED canopy lights to replace HID fixtures.
- Rugged die cast aluminum housing provides excellent heat dissipation.
- Wet location rated IP65.



Performance Summary

Model NO. #	Size (inch)	Watts	CCT	LPW	Lumens(±10%)	Voltage	CRI	Beam Angle
CP05-180L-X-YY	15"*15"*3.27"	180W	5000K	140LM/W	25200LM @180W	AC120-277V	>80	120°

LED CANOPY LIGHT - CP05

Performance

- LED Type: SMD2835
- Frequency: 50/60Hz
- Power Factor: ≥ 0.90
- IP Rating: IP65
- Life Time >50,000Hrs
- Operating Temp.: -40°F to 113°F (-40°C to $+45^{\circ}\text{C}$)
- Surge Protection: L/N 6KV, L/N-P 6KV
- THD: <20%

Construction

- Lens: Polycarbonate
- Housing: ADC12 Aluminum Die Casting
- Finish: White

Mounting

- Surface Mount
- 3/4" Pipe Mount

Accessories for options



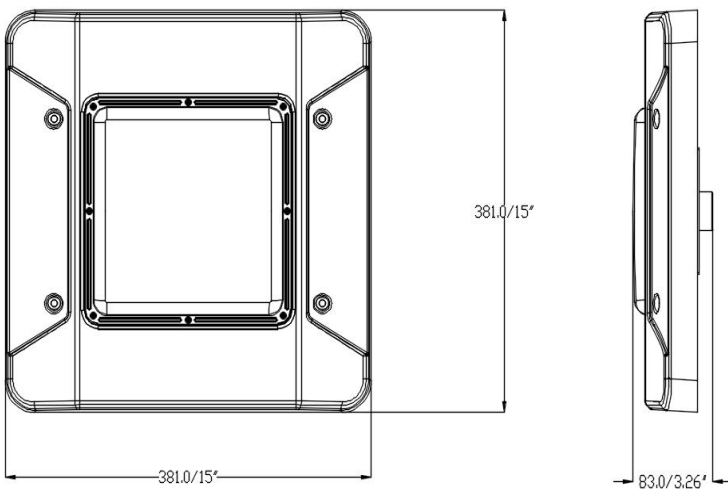
Microwave Motion Sensor apply to Zhaga Socket (DC12V, Haisen Brand)



Microwave Motion Sensor apply to Zhaga Socket (DC12V, Sharkward Brand)

Product Dimension

(unit: mm & inch)



Packing Info.

Size(inch)	Product Weight (LB)	Package Weight (LB)	Carton Size (INCH)	QTY/CTN (PCS)	20GP (PCS)	40GP (PCS)	40HQ (PCS)
	N.W./PC	G.W./CTN					
15"*15"*3.27"	9.92LB	12.12LB	17.92"*17.92"*5.12"	1	1040	2006	2526